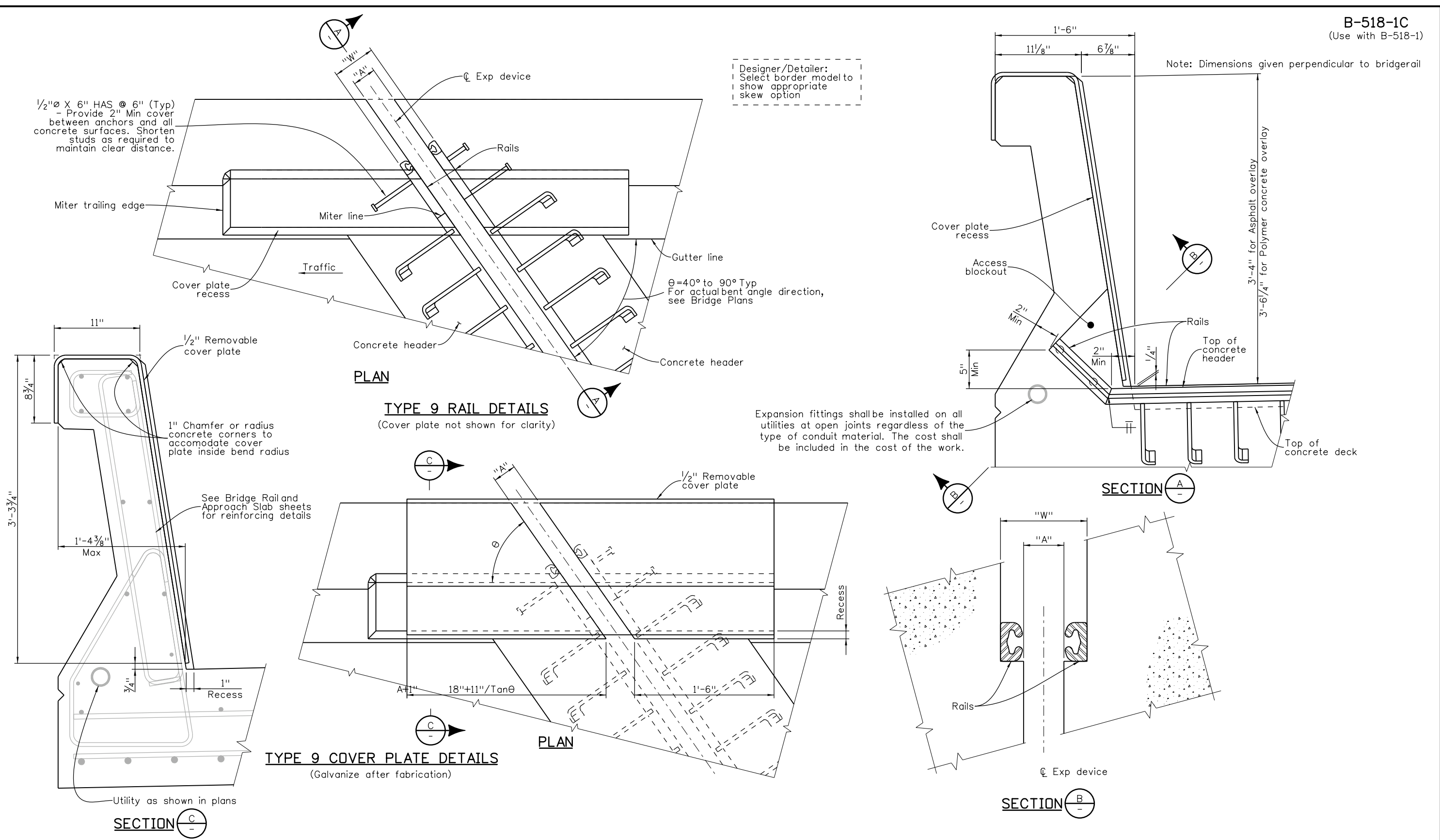


Revision Dates	(Preliminary Stage Only)
12/19	1/20
3/23	

INITIALS	DESIGN	DATE	DETAIL	DATE	QUANTITY	DATE
By						
Checked By						



All seals for this set of drawings are applied to the cover page(s)

Print Date: \$DATE\$
File Name: Sheet_B-518-1C Type 9.dgn
Horiz. Scale: Not to Scale Vert. Scale: As Noted
Unit Information Unit Leader Initials

Sheet Revisions		
Date:	Comments	Init.

Colorado Department of Transportation

2829 West Howard Place, 3rd Floor
Denver, CO 80204
Phone: 303-512-4079
FAX: 303-757-9197

Staff Bridge Branch

Initials

As Constructed
No Revisions:
Revised:
Void:

BRIDGE EXPANSION DEVICE (0-4 INCH) OVER TYPE 9 RAIL			
Designer: XXXXXXXX	Structure Numbers	X-XX-XX	Project No./Code
Detailer: XXXXXXXX	Structure Numbers	X-XX-XX	
Sheet Subset: BRIDGE	Subset Sheets: BXX of XXX		Project Number
			Code
			Sheet Number